

Technical data sheet

Quick clip, light grey

Item number: 2149022



Flush-mounted clip to accept metric steel armoured pipes and heavy-duty insulating pipes, as well as Quick-Pipe® electrical installation pipes. Universal fastening options on walls and ceilings, both in indoor and protected outdoor areas. With slot for side alignment during mounting with wood screw or knock-in anchor. Toolless pipe mounting. Can also be arranged with OBO Multi-Quick or proQuick clip. M16 - M32 size can be screwed onto M6 thread. Recommended fastening spacing 50–60 cm, for max. extraction values F at a room temperature of 20 °C, see the table.



PP Polypropylene

Master data

Item number	2149022
Type	2955 M32
Description 1	Quick clip
Manufacturer	OBO
Dimension	M32
Colour	Light grey; RAL 7035
Material	Polypropylene
Smallest sales unit	50
Unit of quantity	Piece
Weight	0.63 kg
Weight unit	kg/100 pc.

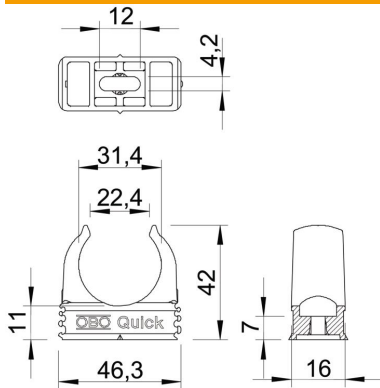
Technical data sheet

Quick clip, light grey

Item number: 2149022



Dimensions



Dimension A	46.3 mm
Dimension B	16 mm
Dimension C	22,4 mm
Dimension D	31.4 mm
Dimension E	12 mm
Dimension F	4.2 mm
Dimension h	11 mm
Dimension H	42 mm

Technical data

Expandable	yes
Number of cables/pipes	1
Pull-out value	100 N
Fastening type	Screw hole
Breaking load	0.12 kN
Closed	no
Halogen-free	yes
With inlay	no
Nominal size	M32
Quick clip installation	Durchgangsloch,_auf_M6_Gewinde_aufschraubbar
Clamping range D, max.	32 mm
Clamping range D, min.	32 mm
UV-resistant	no