

# Technical data sheet

## Skirting trunking SLL 2050

Item number: 6132211



SL-L skirting trunking for covered cable routing in internal areas. The colour of the trunking bases can vary depending on the production method. With snap-on cover and base with base perforation for direct wall mounting. Change the direction with the fittings and close the trunking ends with end pieces. Service outlet for installing power and data technology. With elastic connection lips for concealing uneven wall surfaces. Tested according to DIN EN 50085-1 and DIN EN 50085-2-1. Base and cover packed as a set in a box. The trunking couplings must be ordered separately.



**PVC** Polyvinylchloride

### Master data

Item number	6132211
Type	SLL 2050 cws
Description 1	Skirting trunking
Description 2	SL-L Set 20x50 seal. 9001
Manufacturer	OBO
Colour	Cream; RAL 9001
Material	Polyvinylchloride
Smallest sales unit	2
Unit of quantity	Metre
Weight	37.7 kg
Weight unit	kg/100 m

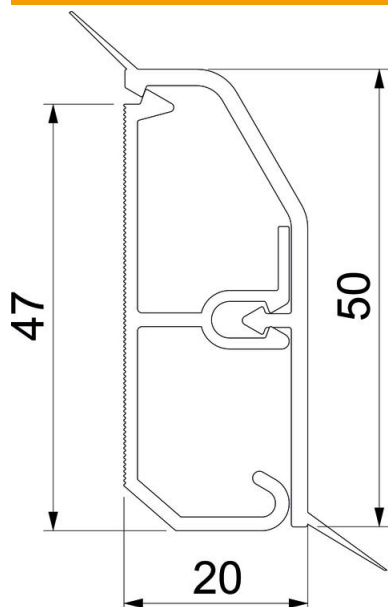
# Technical data sheet

## Skirting trunking SLL 2050

Item number: 6132211



### Dimensions



Length	2,000 mm
Width	50 mm
Height	20 mm

### Technical data

Number of fixed partitions	1
Decoration	Without
Cover sealing lip	Wall/floor
Halogen-free	no
With carpet strip	no
Mounting perforation in base	yes
Usable cross-section	580 mm <sup>2</sup>
Protection rating	IP40
Protective film	no
Protection rating IK code	IK06
Permitted temperature range, max.	60 °C
Permitted temperature range, min.	-5 °C