

# Technical data sheet

## Skirting trunking SL 20110

Item number: 6132207



SL skirting trunking for covered cable routing in internal areas. The colour of the trunking bases can vary depending on the production method. With snap-on cover and base, with base perforation for direct wall mounting. Change the direction with the fittings and close the trunking ends with end pieces. Service outlet for installing power and data technology. Tested according to DIN EN 50085-1 and DIN EN 50085-2-1. Base and cover packed as a set in a box. The trunking couplings must be ordered separately.



**PVC** Polyvinylchloride

### Master data

Item number	6132207
Type	SL 20110 rws
Description 1	Skirting trunking
Description 2	SL Set 20x110 9010
Manufacturer	OBO
Colour	Pure white; RAL 9010
Material	Polyvinylchloride
Smallest sales unit	18
Unit of quantity	Metre
Weight	70.1 kg
Weight unit	kg/100 m

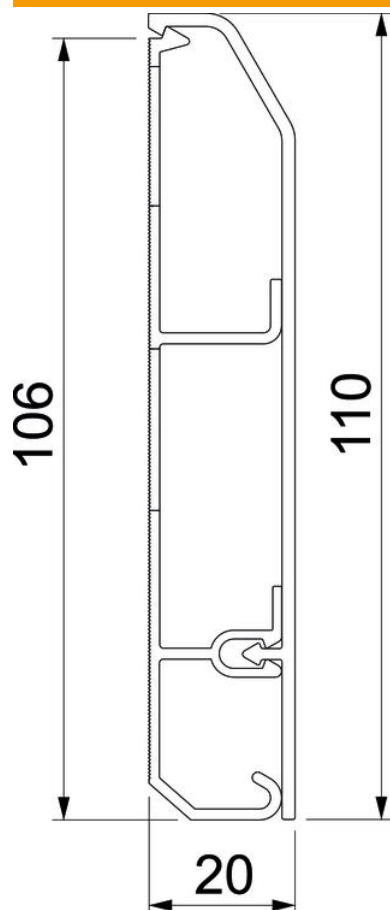
# Technical data sheet

## Skirting trunking SL 20110

Item number: 6132207



### Dimensions



Length	2,000 mm
Width	110 mm
Height	20 mm

### Technical data

Protection rating	IP40
Protection rating IK code	IK06
Permitted temperature range, max.	60 °C
Permitted temperature range, min.	-5 °C